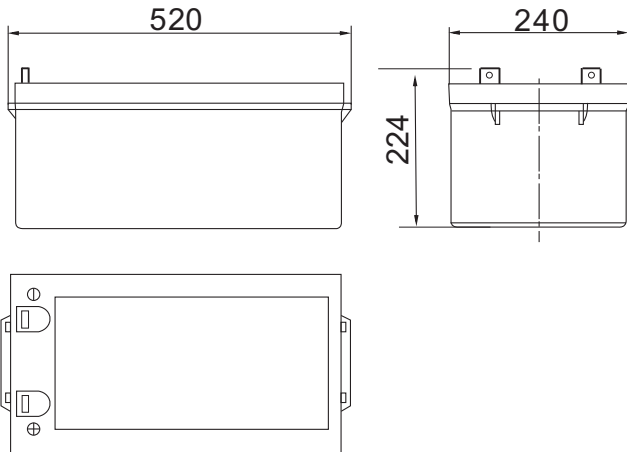


(VRLA) GEL Battery

Valve Regulated Lead Acid Battery

JXH 200-12G

Dimension



Specification

- ✂ Nominal Voltage : 12V
- ✂ Dimension
 - Length : 520 mm
 - Width : 240 mm
 - Overall Height : 224 mm
- ✂ Weight (Approx.) : 60 Kg
- ✂ Nominal Capacity : 200 AH / 20HR (25°C)
- ✂ Internal Resistance(Approx.) : < 5.5 mΩ
- ✂ Float Charging : 2.27 ~ 2.28 vpc (25°C)
- ✂ Cycle Charging : 2.35 ~ 2.4 vpc (25°C)
- ✂ Terminal :
 - Top terminal : Bolt M8
- ✂ Operating Temperature Range
 - Discharging -15°C to 45°C
 - Charging -15°C to 45°C
 - Storage -15°C to 45°C
- ✂ Cyclic: 500-3000 charge/discharge (refer to cyclic curve)
- ✂ Expected float use life (20°C) : 10 Years
- ✂ Easy Maintenance
 - No electrolyte leakage
 - Ensure safe and efficient operation
- ✂ Container Material : ABS
- ✂ Applications :
 - UPS (Uninterruptible Power Supply),
 - Telecommunications, Emergency Lighting, Alarm
 - Systems, Solar Powered Systems, Alternative
 - Energy Storage, Solar Street Lights,
 - General Applications

Constant Current Discharge Characteristics Unit:A(25°C,77°F)

F.V/Time	15min	30min	60min	2h	3h	4h	5h	6h	8h	10h	20h
9.60V	320	194	120	73.1	52.0	40.8	34.7	30.6	24.5	20.4	10.8
9.90V	312	190	118	72.6	51.7	40.6	34.5	30.4	24.3	20.3	10.8
10.2V	301	184	115	72.0	51.4	40.3	34.2	30.2	24.2	20.3	10.7
10.5V	291	180	112	70.9	51.0	40.0	34.0	30.0	24.0	20.1	10.7
10.8V	275	173	108	69.1	50.0	38.0	33.0	29.1	23.3	20.0	10.6

Constant Power Discharge Characteristics Unit:W(25°C,77°F)

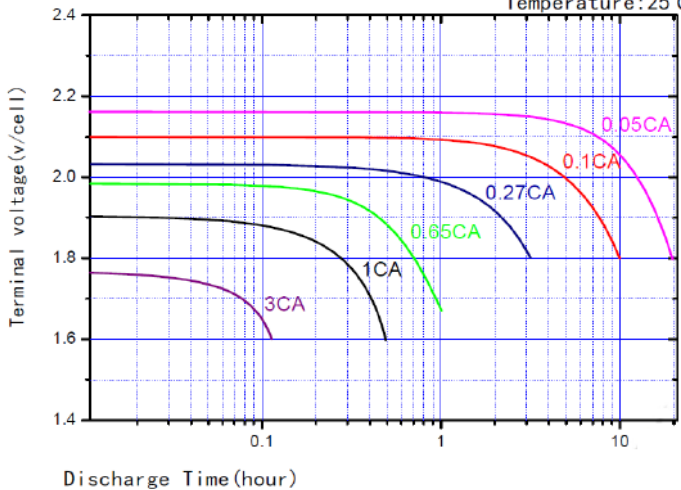
F.V/Time	15min	30min	60min	2h	3h	4h	5h	6h	8h	10h	20h
9.60V	3514	2177	1368	846	612	480	410	362	291	243	129
9.90V	3429	2133	1347	841	608	477	408	360	289	243	129
10.2V	3303	2068	1313	834	604	474	405	357	287	242	129
10.5V	3190	2018	1272	821	600	470	402	355	285	240	128
10.8V	3022	1944	1231	800	588	456	390	344	277	239	127

Note: The above characteristics data can be obtained within three charge or discharge cycles.

Characteristics

Discharge characteristics at each hour rate

Temperature:25°C

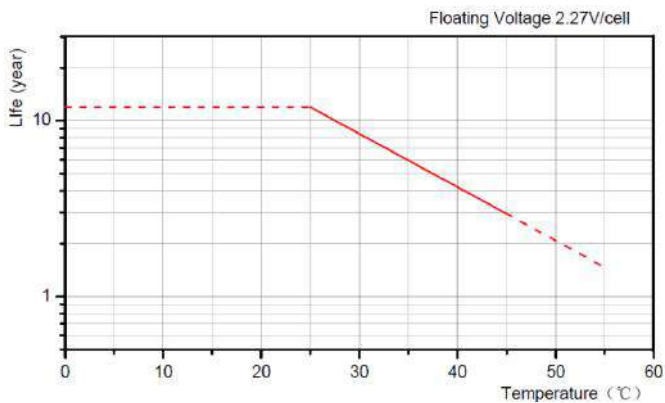


Battery Float Charging

(Temperature compensation)

Temperature °C	Float Charge Volt/Cell
5	2.31
10	2.29
15	2.28
20	2.27
25	2.27
30	2.25
35	2.23

LIFE TIME VS TEMPERATURE



DISCHARGE DEPTH VS CYCLE TIME CURVE

